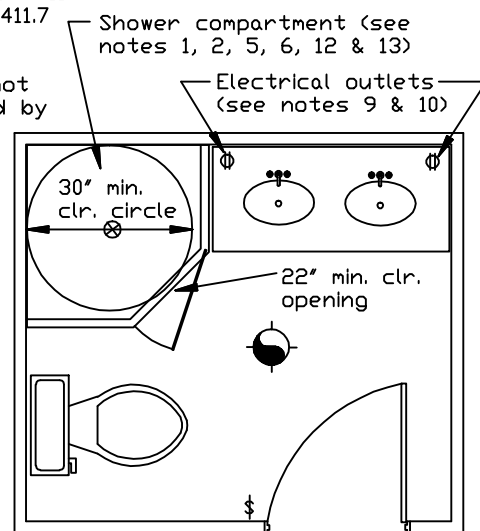
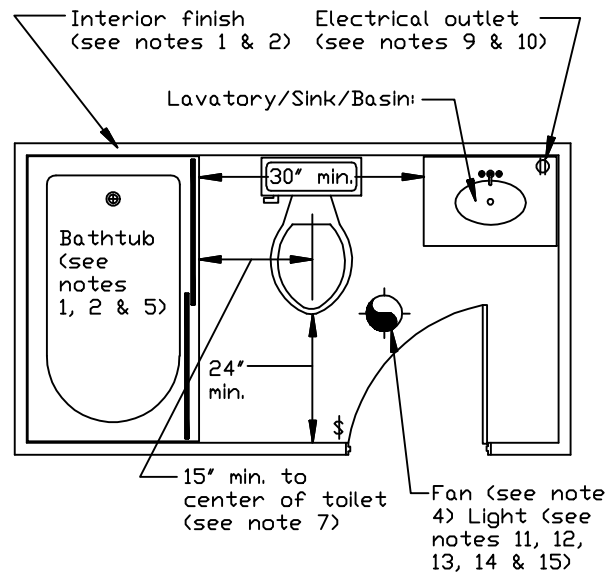


## RESIDENTIAL BATHROOM REQUIREMENTS

The following information is based upon the 2007 edition of the applicable codes.

### NOTES:

- Moisture-resistant drywall in bathroom shall not be used on ceilings where framing member spacing exceeds 12" o.c. per CBC Section 2509.3
- Wall covering in shower stall shall have a smooth, hard nonabsorbent surface of cement plaster, tile or other approved materials to a height of not less than 70" above drain inlet per CPC Sections 401.0 & 411.7
- If a window is provided for natural ventilation, the opening shall be a min. 4% of the floor area being served per CMC Section 402.2
- In lieu of an openable window, a mechanical ventilation fan may be provided and installed in conformance to CMC provisions
- Provide safety glazing in walls of tub and/or shower enclosure where the bottom edge of the glazing is less than 60" above a standing surface and drain inlet per CBC Section 2406.3
- Shower dimension requirements:  
 \* Min. floor area 1024 sq. in. per CPC Section 411.7  
 \* Min. 30" dia. clear circle per CPC Section 411.7  
 \* Min. 22" clear shower door opening per CPC Section 411.6  
 The min. required area and dimension shall not apply where an existing bathtub is replaced by a shower receptor having min. overall dimensions of 30" in width and 60" in length per CPC Section 411.7 Exception #2.
- Min. dimensions at toilet compartment shall be 30" wide (min. 15" from the center of toilet to side wall) and 24" clear space in front of toilet per CPC Section 407.6
- Toilet compartment shall have a min. ceiling height of 7 ft measured to the lowest ceiling projection per CBC Section 1208.2
- Outlets required to be GFCI protected per CEC Section 210.8(A)(1)
- Outlets required to be located within 36" of the outside edge of each basin. Where more than one basin is provided, an outlet shall be provided at each separate basin per CEC Section 210.52(D)



\* For ALL other notes, see top drawing

11. Lighting required in accordance with CEC Section 210.70(A)(1)
12. No parts of cord-connected fixtures, hanging fixtures, lighting track, pendants, or ceiling suspended (paddle) fans shall be located within 3 ft. horizontally and 8 ft. vertically from the top of the bathtub rim or shower stall per CEC Section 410.4(D)
13. Light fixtures located within 3 ft. horizontally and 8 ft. vertically from top of the bathtub rim or shower must be recessed and listed for damp locations, or listed for wet locations if subject to shower spray per CEC Section 410.4(D)

The following notes are based upon State of Calif. Title 24, energy requirements.

14. All incandescent lighting fixtures recessed into insulated ceilings shall be IC rated by U.L. or other testing laboratories recognized by the International Code Council.
15. Lighting in bathrooms must be high efficacy, or must be controlled by a manual-on occupant sensor.